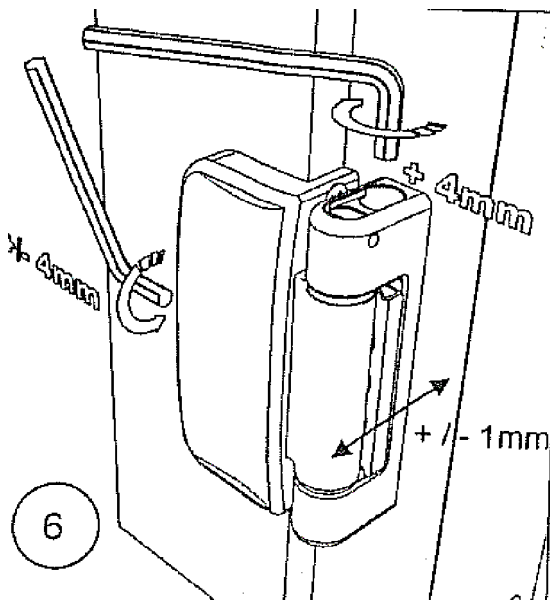


Windowplas

Building Plastics

"All under one roof"

3D FLAG HINGE ADJUSTMENT INSTRUCTIONS



VERTICAL ADJUSTMENT +4.0mm - 0.0mm
(5mm Allen Key)
REMOVE THE TOP CAP.

TO RAISE DOOR SASH,
ROTATE THE REAR VERTICAL ADJUSTMENT
SCREW CLOCKWISE. ENSURE THAT ALL
OTHER HINGES ARE ADJUSTED EQUALLY.

TO LOWER DOOR SASH
ROTATE THE VERTICAL ADJUSTMENT
SCREW ANTI CLOCKWISE. ENSURE THAT ALL
OTHER HINGES ARE ADJUSTED EQUALLY.

LATERAL ADJUSTMENT +4.0mm -4.0mm
(5mm Allen Key)

REMOVE THE SIDE COVER CAP.
ROTATE THE LATERAL ADJUSTMENT
DRIVES IN THE DIRECTION
REQUIRED.

COMPRESSION ADJUSTMENT +1mm -1mm (5mm
Allen Key)

REMOVE THE TOP CAP.
VIA MARK ON TOP OF PIN. IF THE MARK
IS POINTING TOWARDS THE DOOR SASH, THE
ADJUSTMENT IS IN THE NEUTRAL SETTING.
TURN THE PIN SO THAT THE
ALIGNMENT MARK IS MOVED TOWARDS THE
DOOR FRAME.

