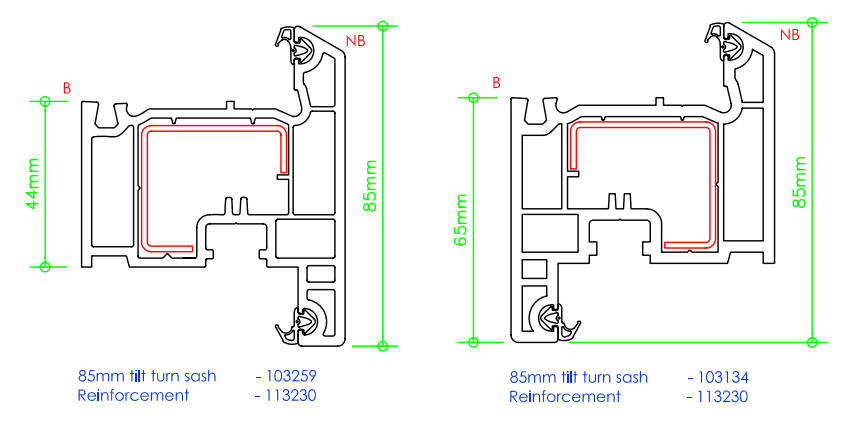
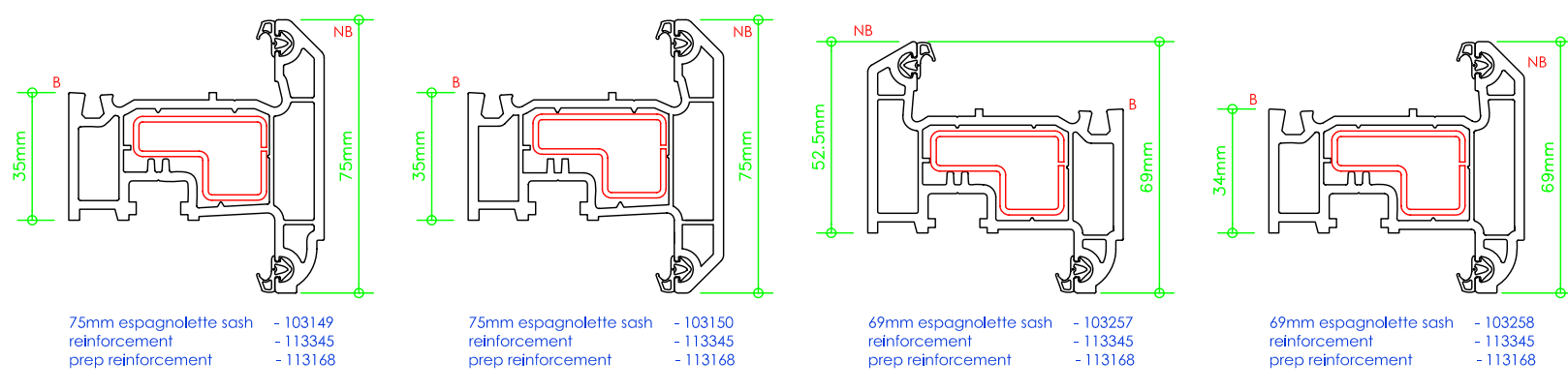


outer frame

tilt & turn

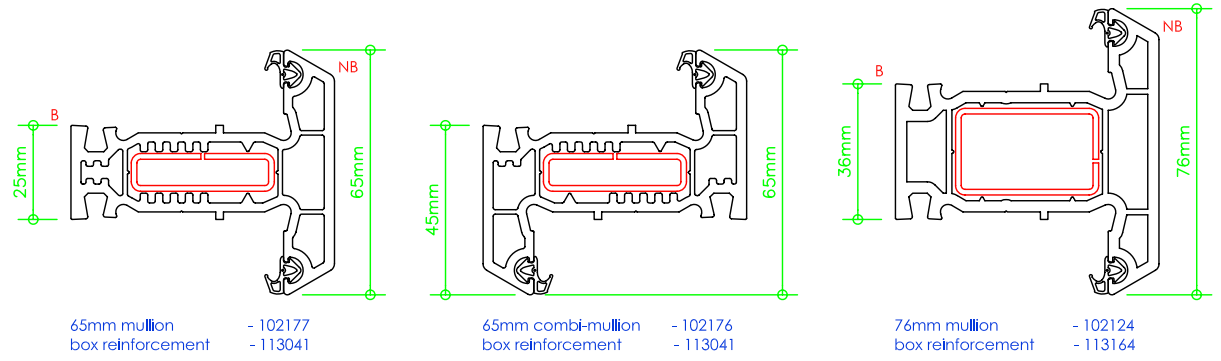
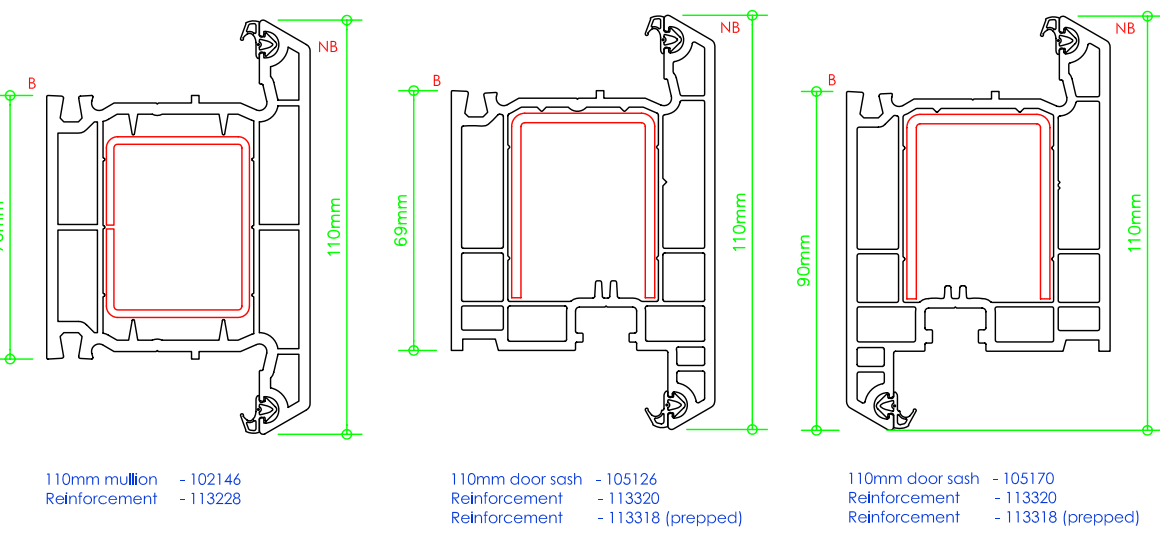


System:	Matrix 70
Section:	01
Page:	00:00
Date:	Sept 2008
Revision:	



window sash

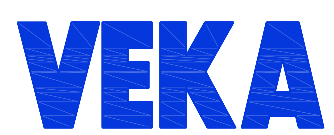
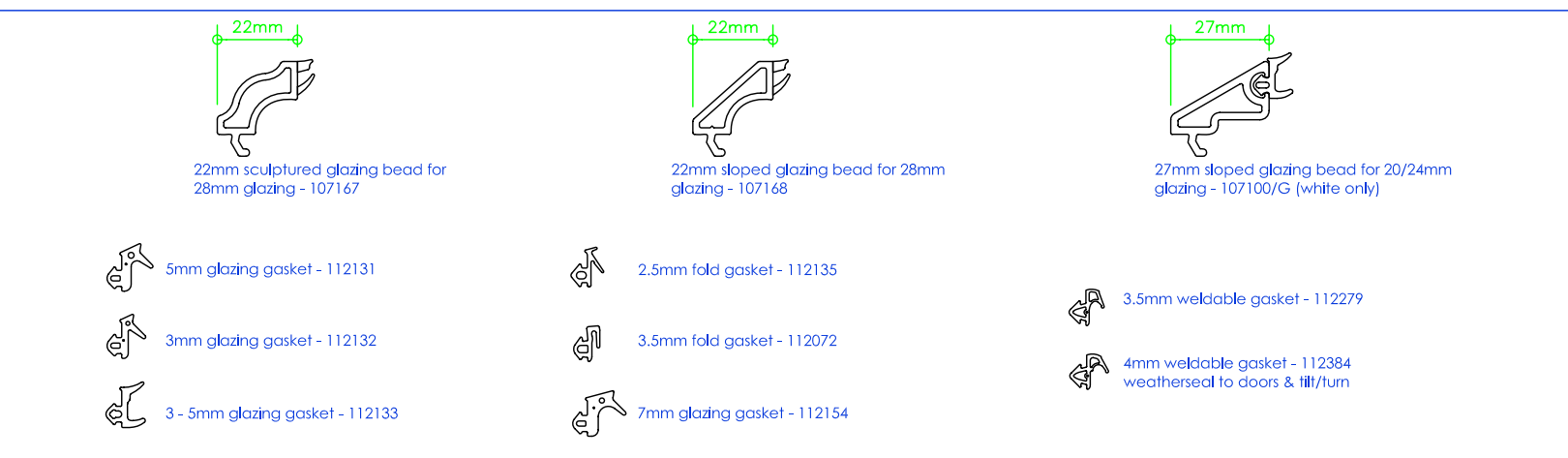
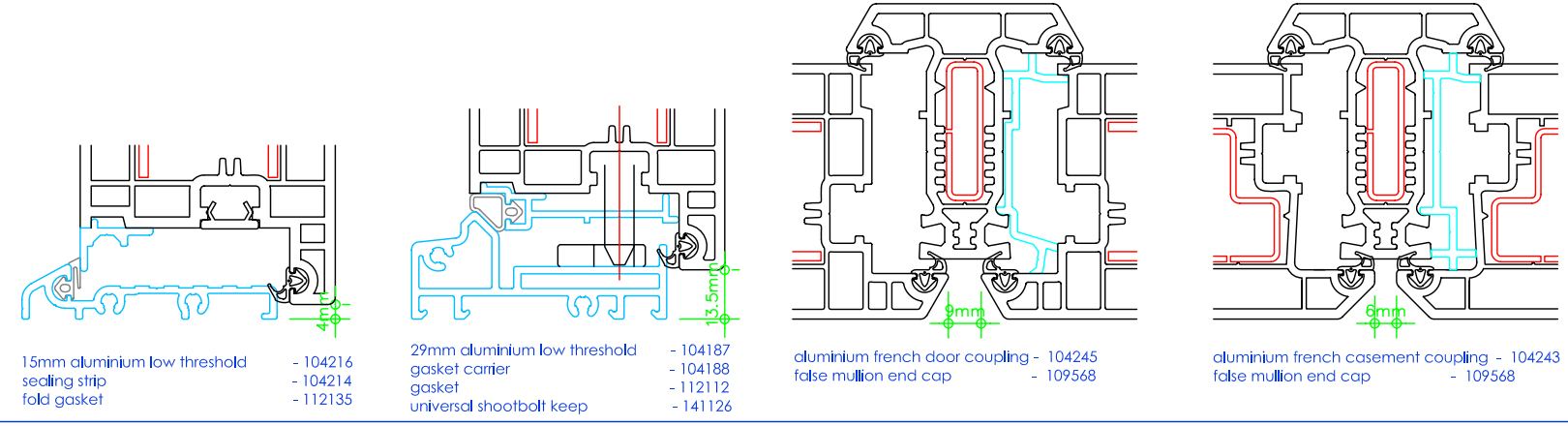
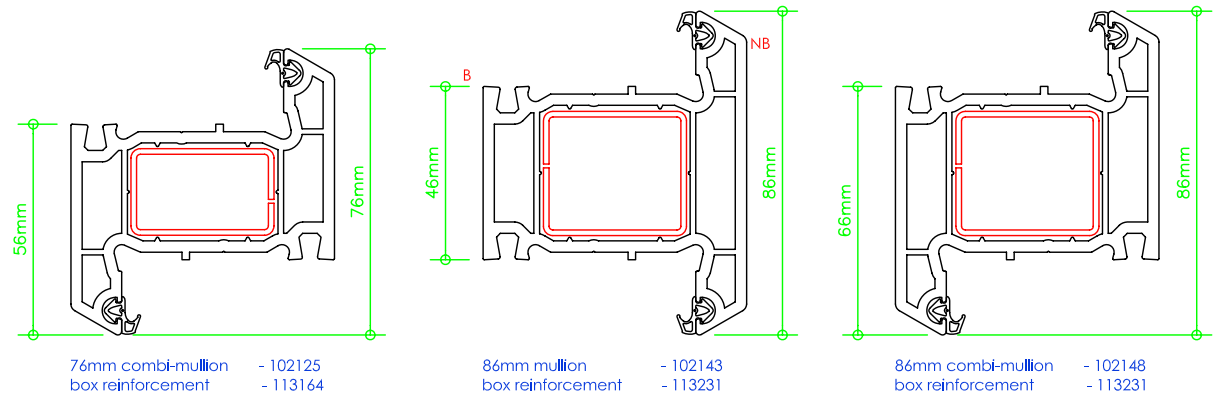
door sash



mullion / transom

bead / gasket

ancillaries

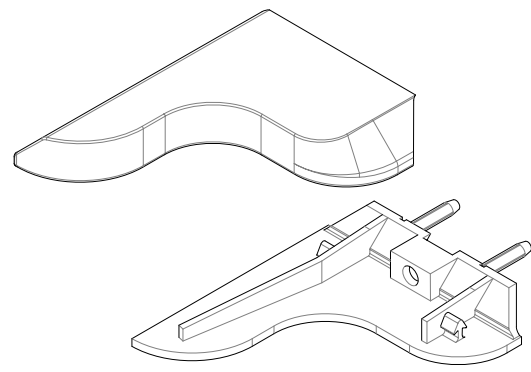


matrix 70 profile chart



note: 'B' and 'NB' denote beaded and non beaded faces for the ordering of foiled profiles.

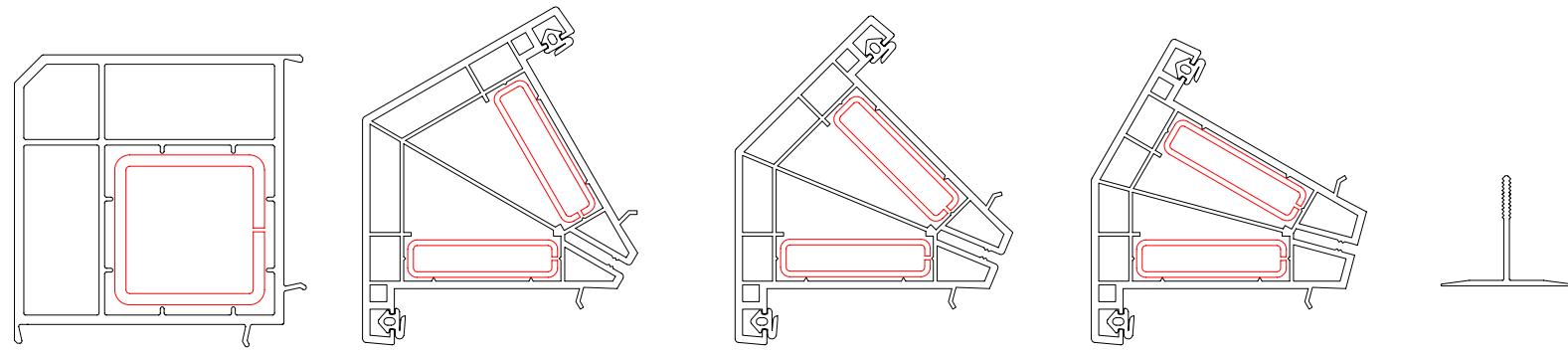




casement horn cover -109995
casement horn base -109994
jig -146043.5

casement horns

bay poles



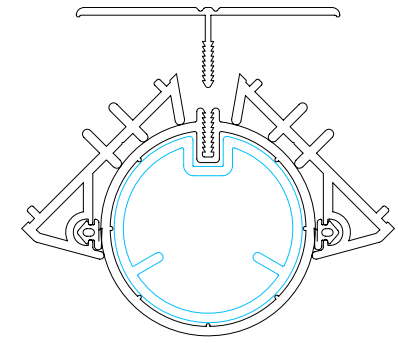
90deg Corner post 116200
Steel reinforcement 113128
adjustment nut 141444
LOAD BEARING

120° corner post 116016
reinforcement 113028
aluminium reinf 115015
gasket 112003

135° corner post 116015
reinforcement 113028
aluminium reinf 115015
gasket 112003

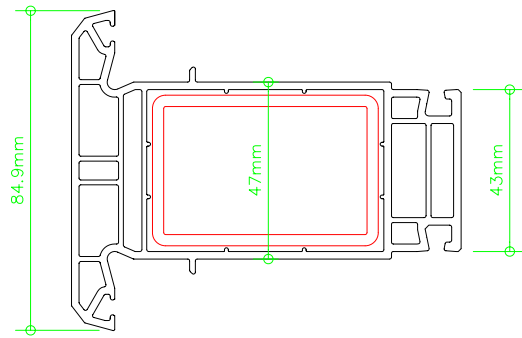
150° corner post 116017
reinforcement 113028
aluminium reinf 115015
gasket 112003

T piece' for fixed angle bay poles 116033

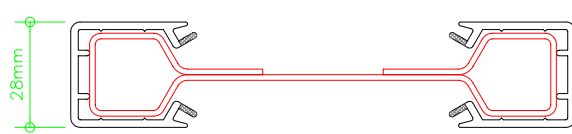


Bay pole cover 116047
Aluminium bay pole 104157
Bay pole shoe 116049
Gasket 112003
Cover piece 116048
adjustment nut 141437.2
LOAD BEARING

System:	Matrix 70
Section:	06
Page:	00:04
Date:	Jan 2010
Revision:	00:03



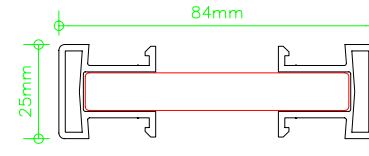
Coupling profile 116202
Steel reinforcement 113011
adjustment nut 141439



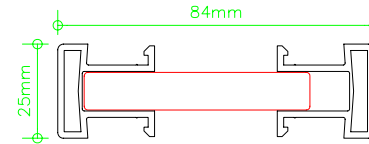
dogbone coupling covers 113112
116012



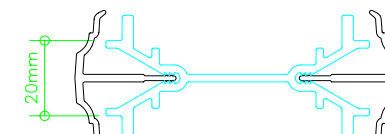
small H coupling 116058



coupling cover reinforcement 116029
113119 (solid)



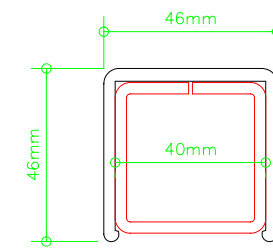
coupling cover reinforcement 116029
113118 (solid)



cover profile aluminium reinforcement 116060
104210

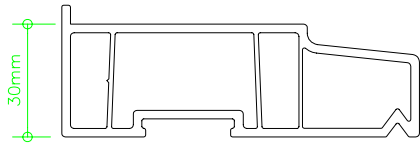
coupling 116030

coupling 116005.2

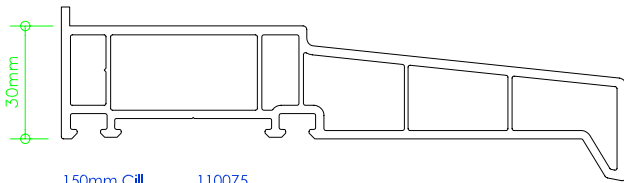


cover profile 109195
Steel reinforcement 113128

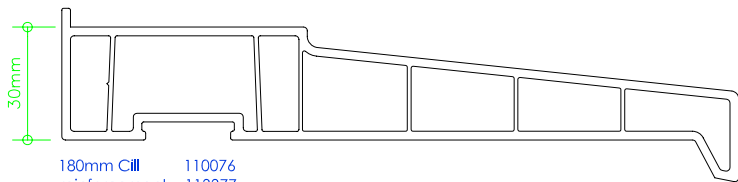
couplers



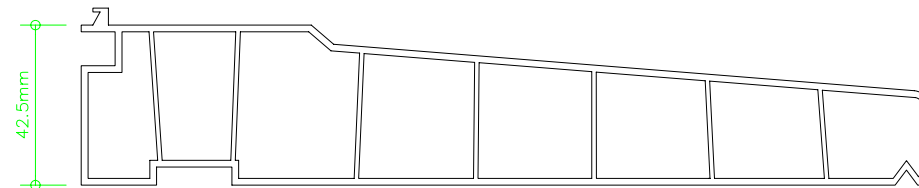
95mm Cill reinforcement 110074
end cap 113377
109074



150mm Cill reinforcement 110075
113317
reinforcement 113245
Straight Cill joint 109085
135° Cill joint 109084
90° Cill joint 109089
end cap 109075



180mm Cill reinforcement 110076
end cap 113377
109090



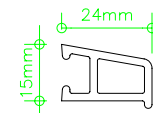
225mm Cill reinforcement 110106
end cap 113048 & 113345
109647

drips & beads

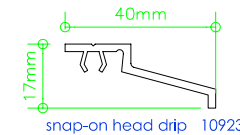


beadgroove infill 112380

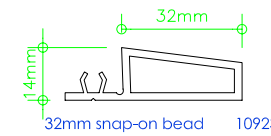
Eurogroove Infill 109045



drip mould end cap 109122
109141



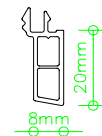
snap-on head drip 109230



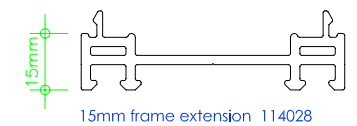
32mm snap-on bead 109231

cills

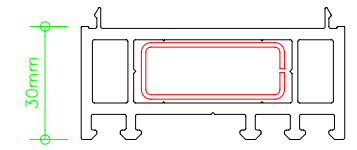
cill extensions



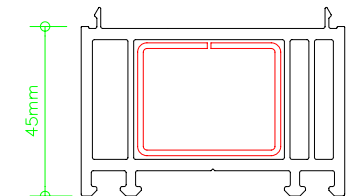
cill frame extension 110104



15mm frame extension 114028



30mm frame extension 114014
Reinforcement 113073



45mm frame extension 114202
Reinforcement 113271

frame extensions